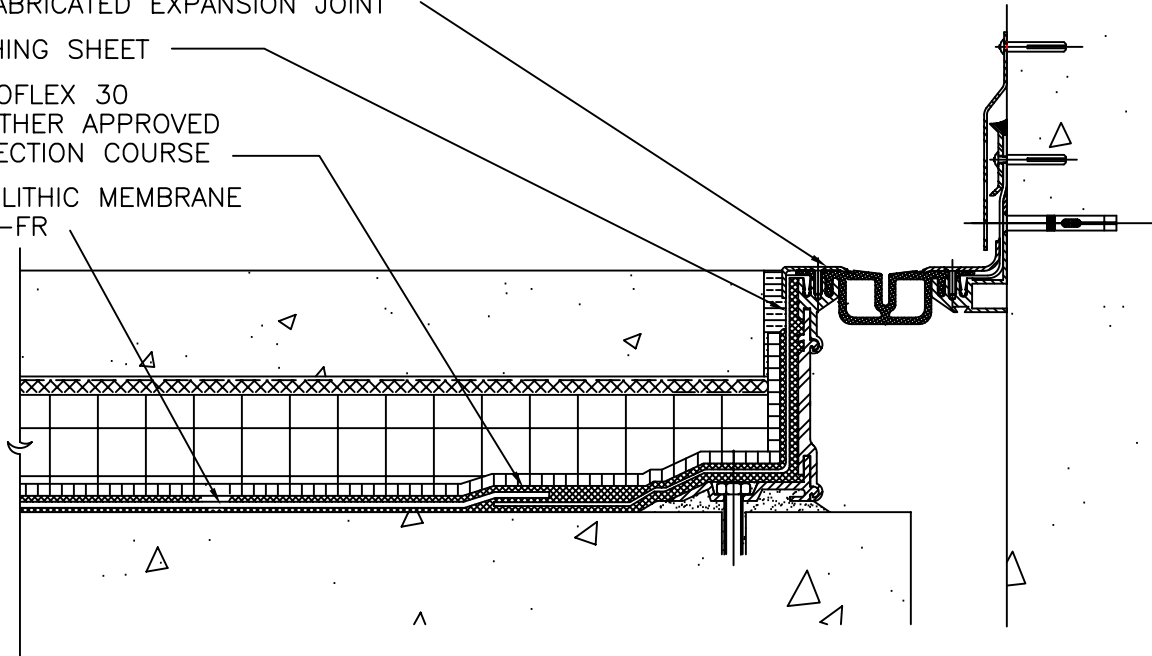
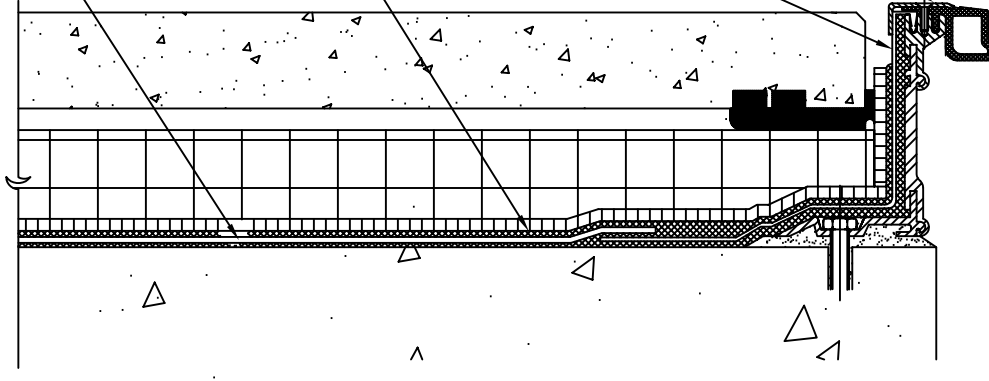


PREFABRICATED EXPANSION JOINT
 FLASHING SHEET
 HYDROFLEX 30
 OR OTHER APPROVED
 PROTECTION COURSE
 MONOLITHIC MEMBRANE
 6125-FR



DECK-TO-WALL JOINT

PREFABRICATED EXPANSION JOINT
 FLASHING SHEET
 HYDROFLEX 30
 OR OTHER APPROVED
 PROTECTION COURSE
 MONOLITHIC MEMBRANE
 6125-FR



FIELD JOINT

NOTES: MANUFACTURERS OF PREFABRICATED EXPANSION JOINT SYSTEMS MUST BE CONSULTED FOR SPECIFIC PRODUCT AND INSTALLATION INFORMATION.



Monolithic Membrane
 6125-FR
 WATERPROOFING SYSTEMS

AMERICAN HYDROTECH, INC.

ALTERNATE PREFABRICATED EXPANSION JOINTS

NO SCALE

W-6D